

Quickly and accurately plot and cut pattern pieces.



SPECIALLY DESIGNED FOR PLOTTING AND CUTTING PATTERN PIECES, THE SP 130 PLOTTER IS IDEAL FOR DESIGN CENTERS AND IN-HOUSE DESIGN DEPARTMENTS. GERBERPLOTTERS ARE USED TO CREATE, CHECK OR REVISE PATTERN PIECES AND PLOT COMPONENT PIECES AND MINI-MARKERS. THESE PLOTTERS ARE COMPATIBLE WITH ACCUMARK®, SILHOUETTE™ AND WINPLOT SYSTEMS. THE SP 130 SHIPS WITH WINPLOT SOFTWARE.

THE SP 130 IS A HIGH-SPEED AND ACCURATE PLOTTER THAT WILL CUT PATTERN PIECES RIGHT THE FIRST TIME, LOWERING YOUR PRODUCTION COSTS.

**Compact stand-up plotter for design and sample pattern applications.**

- Plot or cut paper patterns on a single machine without manually changing tools.
- Uses continuous roll paper to plot and cut pattern pieces.
- Plots and cuts at speeds up to 60 cm/second.
- Wide plot/cut width of 130 cm (51 in.).
- Compact size requires minimal floorspace.
- Catch basket collects cut off paper for added convenience.
- Frees designers from tedious, repetitive and time-consuming cutting tasks, allowing them to concentrate on design functions.
- User interface graphic type LCD (240 x 128 dpi), supporting 10 languages.
- 32-bit CPU with 2 MB local memory for improved speed and total system throughput.
- Two mounted tools for added convenience: roller ball pen and height-adjustable 0.9 mm knife.
- Variable width paper support for added versatility.
- Seamlessly integrates with AccuMark.



**GERBER**  
*SP 130 PLOTTER*



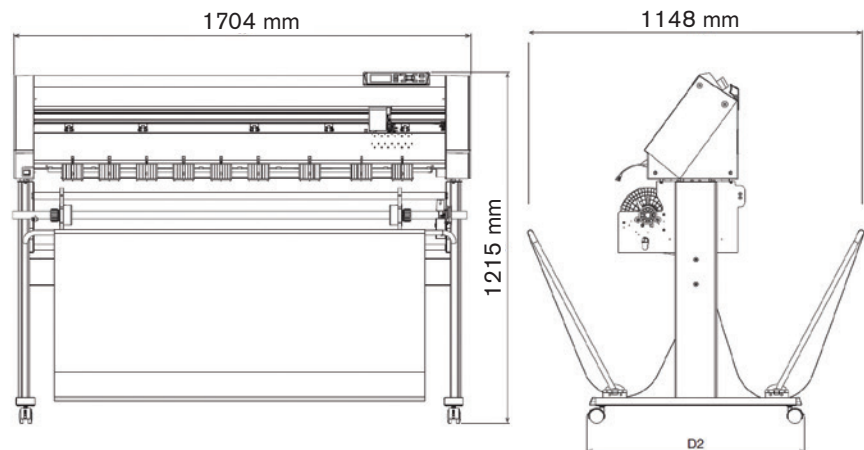
*SP 130 catch basket collects cut paper for added convenience.*



*0.7 mm ball-point pen and 0.9 mm diameter 45 degree knife.*

**SP 130 Plotter**

System Components			
Interface		USB 2.0 (2 m cable included)	
WinPlot Supported File Types		GEN, DXF, NC, HPGL	
Maximum Cutting Speed		60 cm/second	23.5 in./second
Maximum Acceleration		13.9 m/s <sup>2</sup> 45° direction	45.6 ft./s <sup>2</sup> 45° direction
Paper			
Mountable Roll Media	Width	Min. 594 mm Max. 1321 mm	Min. 23.4 in. Max. 52 in.
	Weight	Max. 20 kg	Max. 44.1 lb.
	Core Inside Diameter	76 mm	3 in.
	Max. Outside Diameter	200 mm	7.87 in.
Media Types		Fine quality (bond) paper for apparel patterns 64 to 130 g/m <sup>2</sup> , 35 lb. bond	
AccuMark Compatibility		AccuMark/WinPlot version 12.2.1 or higher	
System Dimensions and Requirements			
Dimensions (W x D x H)		Approx. 1704 mm x 1148 mm x 1215 mm	67 in. x 45 in. x 48 in.
Weight (including stand & basket)		Approx. 59.4 kg	130 lb.
Power Requirements		Rated power supply 100 to 200 VAC, 200 to 240 VAC, 50/60 Hz	
Power Consumption		Approx. 120 VA	
Operating Environment			
Temperature		10°-30° C	50°-86° F
Humidity		35-75% RH (non-condensing)	
Conditions for Precision		18°-28° C, 40-65% RH non-condensing	64°-82° F, 40-65% RH non-condensing



AccuMark and Silhouette are trademarks or registered trademarks of Gerber Technology LLC.

© 2019 Gerber Technology LLC. All rights reserved.

**Gerber Technology**  
24 Industrial Park Road West  
Tolland, CT 06084 USA

**TOLL FREE (USA)**  
800.826.3243

**TELEPHONE (International)**  
+1.860.871.8082

www.gerbertechnology.com

Form No. 12062019